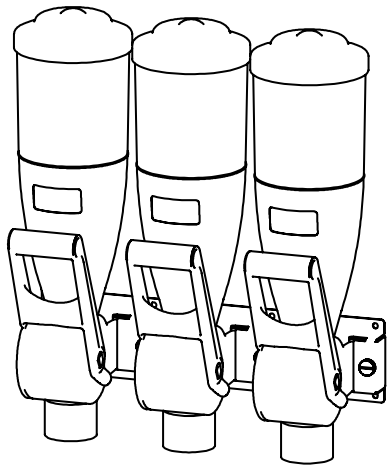


## 86660

Dry Product  
Dispenser  
2L Triple



Complete View for Reference

