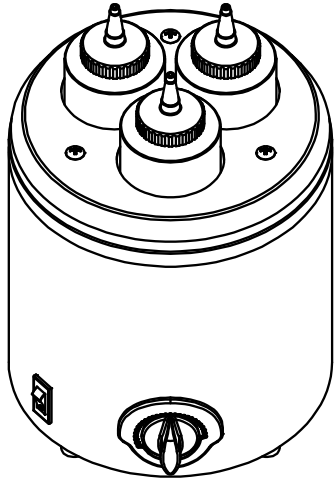
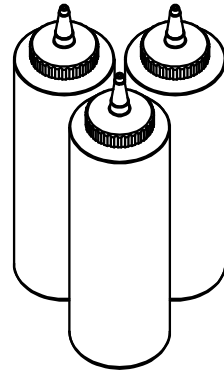


86810

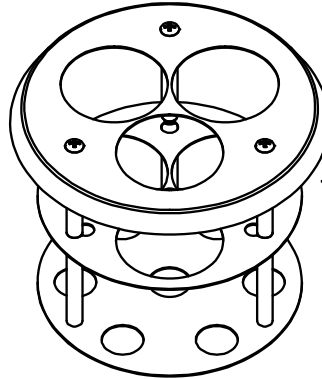
Signature Touch
SBW



Complete View for Reference



SQUEEZE BOTTLE,
HEATED APPLICATION
QTY. 3
86809



BOTTLE SUPPORT ASSEMBLY
86811



BASE ONLY FOR FS & FSP
82066

FEET (4)
81058 - PRIOR TO 2023
92098 - AFTER 2023