

SERVER®

• E S S E N T I A L S •

Food Container Pumps Pouch Connect, Fountain Jar Pumps

SPECIFICATION SHEET



FAST FACTS

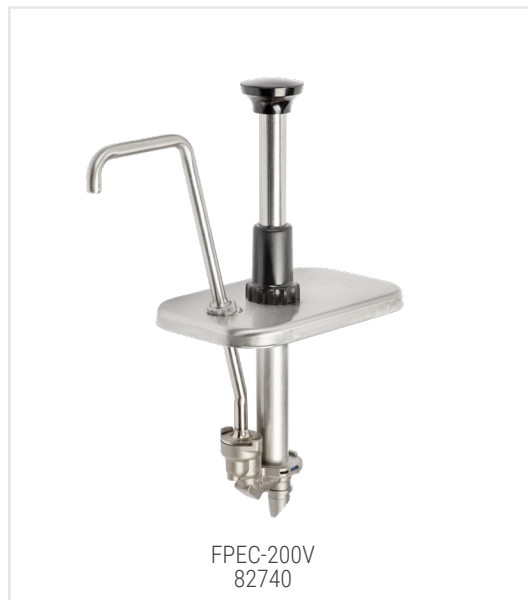
Manage food costs with 1 oz max portions that can be adjusted in 1/8 oz increments directly from pouches which drastically reduces pump and jar cleaning time

APPLICATIONS

- Serve from insulated or ambient topping stations
- Visit [our website](#) for available pouched product!

DETAILS

- Reduce food and packaging waste by dispensing directly from a 48 oz pouch
- Pumps fit Server shallow, standard fountain jars used in custom heated wells Brushed stainless steel finish helps reduce the visibility of fingerprints
- NSF listed, clean-in-place certified or disassemble for cleaning



FPEC-200V
82740



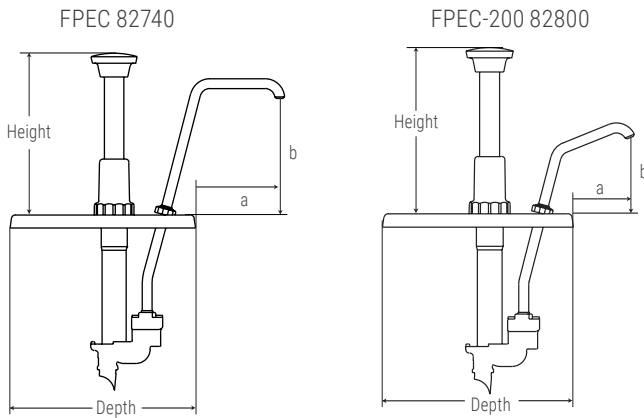
FPEC-200
82800

Purposefully made to last.

SEE TABLE FOR APPLICABLE TRAITS BY MODEL	
DISPENSES KEY	THIN fountain syrups • oils • hot sauce
	THICK ketchup • mustard • mayo • bbq
	THICKER tartar sauce • crafted sauces
APP KEY	AMBIENT COLD HOT

FOUNTAIN JAR PUMP MODELS: FPEC & FPEC-200

Server Pouch-Connect Fountain Jar model pumps dispense directly from 48 oz food manufacturer pouches with 16 mm center fitments. Each stainless steel pump is constructed with a cast valve body featuring captured balls to prevent loss and features a pouch-piercing connector tip. Pumps dispense a max portion of 1 oz per stroke reduces in 1/8 oz increments. Pump and lid fit standard, shallow fountain jars (not included). Pump knob can be colored and engraved to label contents; black is standard. Fountain jars and pouches sold separately. NSF listed, clean-in-place certified. 2-year warranty.



order amt	dispenses	model/item	application	pump & lid fit (jar not included)	full portion	dimensions H x W x D (above jar)	weight	dim a	dim b
<input type="checkbox"/>		FPEC 82740		standard, shallow fountain jar	1 oz	6 1/4" x 4 1/16" x 7 1/8"	3 lb	4 1/16"	4 1/2"
<input type="checkbox"/>		FPEC-200 82800		standard, shallow fountain jar	1 oz	6 1/4" x 3 1/16" x 7 1/8"	3 lb	2 1/4"	2 1/2"

RELATED PRODUCTS

COLORED FOUNTAIN JARS

Choose black or orange jars rather than white; use orange jars to call out common food allergens like nuts.

model/item	description	capacity	jar color
83147		2 qt	
83148	standard, shallow fountain jar	1.9 L	
82558			



COLORED, ENGRAVED KNOBS

Interchangeable engraved and colored knobs help staff and patrons identify contents, coordinate with store themes or promote branded products. Specify color and text at time of order. Exact shade may vary from picture. Black knobs are standard.



GET OUT ALL THE GOOD WITH POUCH CONNECT FOUNTAIN JAR PUMPS
 SERVER-PRODUCTS.COM | 800.558.8722 | 262.628.5600